

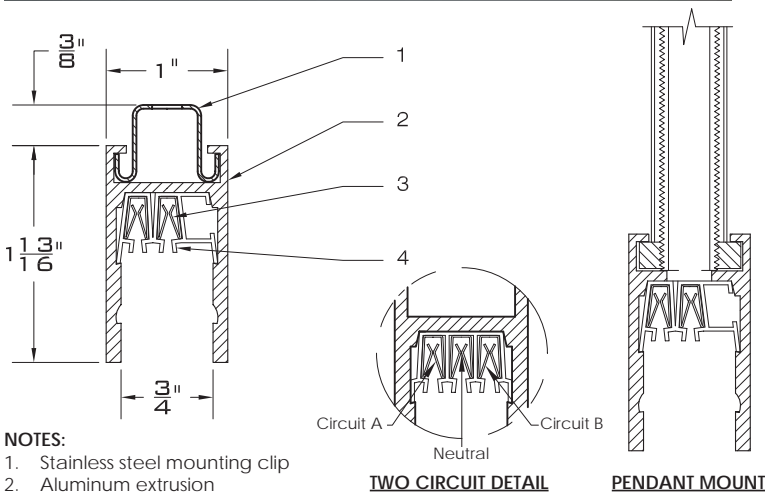


LTJT LUXTRACK

SURFACE OR PENDANT MOUNTED TRACK

IN LOW VOLTAGE OR LINE VOLTAGE

LTJT TRACK is a minimal profile surface or pendant mounted track system. Extruded aluminum is custom cut to length and houses 2 or 3 conductor 20 Amp bus run with a common neutral. Available with either one or two circuits in both line and low voltage, LTJT is NULUX's most versatile track. LTJT is available in continuous run lengths using an internal mechanical connection spline. Several corresponding track fixtures can be used with LTJT for accent or object lighting applications.



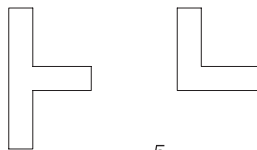
NOTES:

1. Stainless steel mounting clip
2. Aluminum extrusion
3. Copper conductors
4. Insulator
5. Junction box (by others)
6. #12 wire leads
7. 1/4" IPS threaded nipple
8. Junction box canopy cover
9. Ground connection
10. Inline wiring cover plate
11. Closure plate clip
12. Splice end cover

FEATURES:

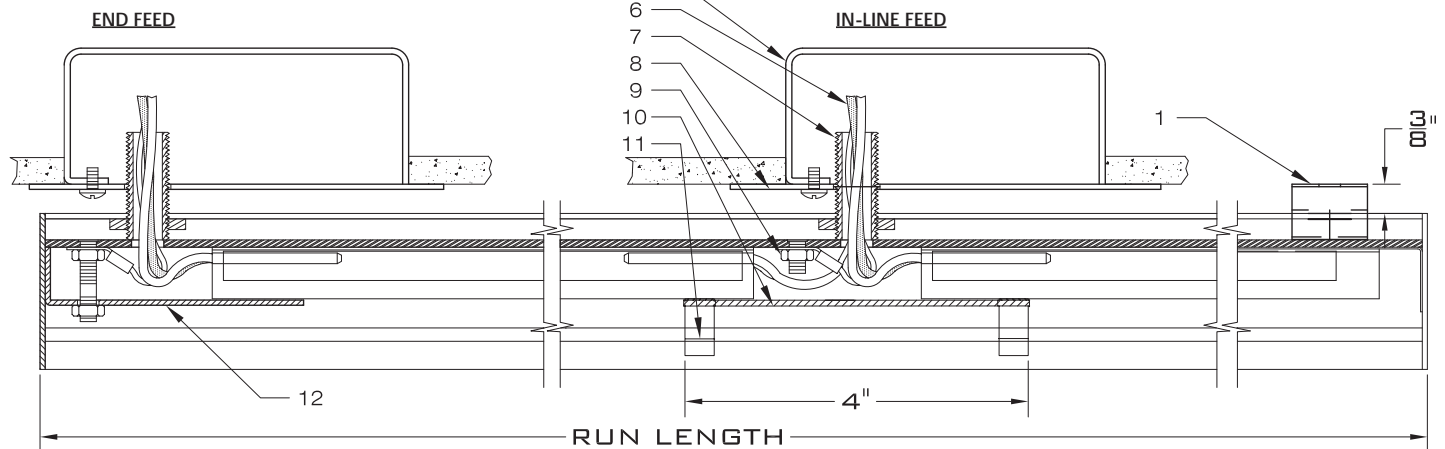
- 120V or 12V (Q-Tran remote transformer recommended)
- 1 or 2 circuits with common neutral
- Extruded aluminum housing, custom cut to dimensions provided
- Mounting options: Surface or Pendant (stems required every 3' to 5')
- Intersection options include corner and T modules
- Feed options include both End and In-Line
- Junction box canopy plates are included

AVAILABLE INTERSECTIONS:



LTJT TRACK is NRTL (Nationally Recognized Testing Laboratory) certified for purposes of OSHA safety standards product-approval requirements.

LOW VOLTAGE TRACK SYSTEMS require engineering of wire size and overcurrent protection. Such systems should be used only by those having appropriate consultation. NULUX does not provide this engineering service.



ORDERING MATRIX: LTJT- _____ - _____

Mounting	Voltage	Circuit	Feed Location	Track Length	Intersection	Finish	JBox (by others)	Canopy Cover	Canopy Finish
S Surface	12 12V	1 1 20 Amp Circuit	E End Feed	Specify fixture length in inches (All Luxtrack orders are custom cut to dimensions provided)	C Corner	W White	4O 4" Octogon	S Square	W White
P Pendant*	120 120V	2 2 20 Amp Circuits	IL In-Line Feed**		T T	B Black		R Round	B Black
			**specify dim in inches from end of run Confirm with layout			S Silver			S Silver
						C Custom			C Custom

Contact NULUX directly to specify custom products
Layout drawing required to confirm length, intersections, mounting, feed locations and layout

01/12/11