



MICROLUX 11

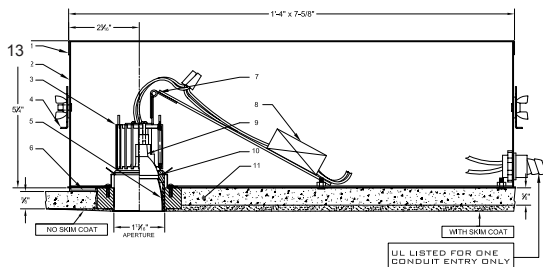
MR 11 DOWNLIGHT

FOR GYPSUM BOARD CEILINGS

MICROLUX 11 is a miniaturized incandescent MR11 downlight designed to provide the most discrete and minimal form of recessed illumination available for a demanding aesthetic. It is designed for flangeless mounting in gypsum board ceilings. The parabolic cone provides optimal brightness control in a variety of finishes.

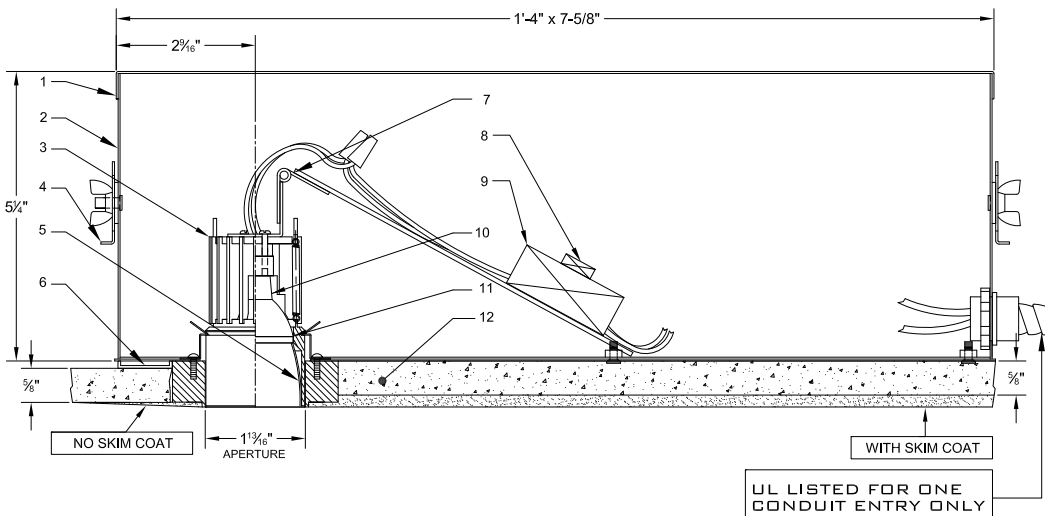
FEATURES:

- Miniaturized 1-13/16" diameter aperture
- Low brightness parabolic reflector cone
- Lamping options: 12V 35W Max
- IC-rated thermally protected luminaire
- Ceiling applications: 5/8" Gypsum board



REFLECTED PLAN VIEW

MICROLUX 11 is NRTL (Nationally Recognized Testing Laboratory) certified for purposes of OSHA safety standards product-approval requirements.



NOTES:

1. Access cover (for use during install)
2. Housing
3. Lampholder assembly
4. Mounting bar
5. Parabolic anodized cone
6. NULUX MIC-SP spacer
7. Hinged connection
8. Thermal protector
9. 75W dimmable electronic transformer
10. 12v MR11 lamp 35w Max (by others)
11. Clear lens
12. 5/8" Gypsum board ceiling
13. Alternate aperture position

ORDERING MATRIX: M11-G- _ _ _ - _ _ _ _

Application	Voltage	Transformer	Cone Finish	Lamp Lens	Additional Accessories
D Downlight	120 120/12V	E Electronic	C Clear	CL Clear	N None
	277 277/12V	AE AFCI Electronic	P Pewter	SO Solite	HC Hex Cell Louver
	12 12V / (Remote)	R Remote	G Gold	SD Stippled	CUV Clear UV Lens
			B Black	LS5 Linear Spread 55°	O Other
			W White	LS7 Linear Spread 75°	UVC UV Coated Lamp Lens
			CC Custom	WW Wallwash 55/75°	
			* Add Etch		

Contact NULUX directly to specify custom products

* To specify Etch Cone Finish, versus standard Specular Finish, place asterisk after Cone Finish designation in matrix.

5/21/2015