



MICROLUX 11

MR11 DOWNLIGHT

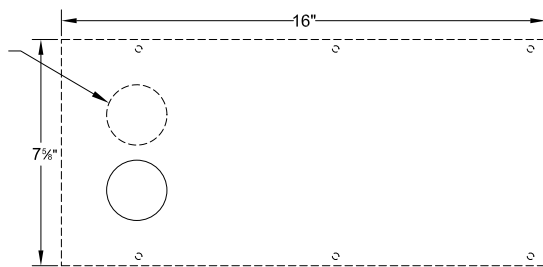
FOR WOOD OR STONE CEILINGS

MICROLUX 11 is a miniaturized incandescent MR11 downlight designed to provide the most discrete and minimal form of recessed illumination available for a demanding aesthetic. It is designed for flangeless mounting in wood or stone ceilings. The parabolic cone provides optimal brightness control in a variety of finishes.

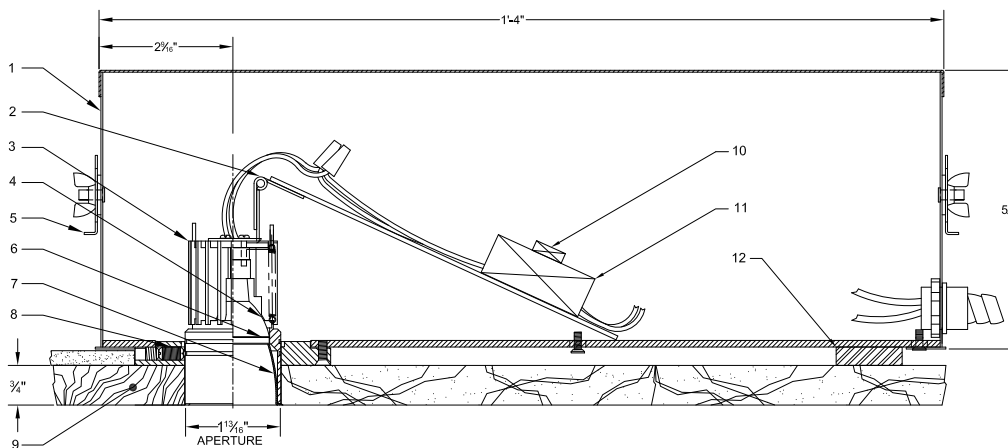
FEATURES:

- Miniaturized 1-13/16" diameter aperture
- Low brightness parabolic reflector cone
- Lamping options: 12V 35W Max
- Non-IC thermally protected luminaire
- Ceiling applications: 3/4" Wood or Stone

MICROLUX 11 is NRTL (Nationally Recognized Testing Laboratory) certified for purposes of OSHA safety standards product-approval requirements.



REFLECTED PLAN VIEW



NOTES:

1. Housing
2. Hinged connection
3. Lampholder heatsink assembly
4. 12V MR11 lamp 35W Max (by others)
5. Mounting bar
6. Solite lens
7. Clear anodized finish cone
8. Bullet Catch
9. 3/4" Wood or Stone ceiling
10. Thermal protector
11. Electronic transformer
12. Spacer (by others)
13. Alternate aperture position

ORDERING MATRIX: M11-W- _ _ _ - _ _ _ _

Application	Voltage	Transformer	Cone Finish	Lamp Lens	Additional Accessories
D Downlight	120 120/12V	E Electronic	C Clear	CL Clear	N None
	277 277/12V	AE AFCI Electronic	P Pewter	SO Solite	HC Hex Cell Louver
	12 12V (Remote)	R Remote	G Gold	SD Stippled	CUV Clear UV Lens
			B Black	LS5 Linear Spread 55°	O Other
			W White	LS7 Linear Spread 75°	UVC UV Coated Lamp Lens
			CC Custom	WW Wallwash 55/75°	
			* Add Etch		

Contact NULUX directly to specify custom products

* To specify Etch Cone Finish, versus standard Specular Finish, place asterisk after Cone Finish designation in matrix.

5/21/2015