



MICROLUX 16

IC RATED MR16 DOWNLIGHT

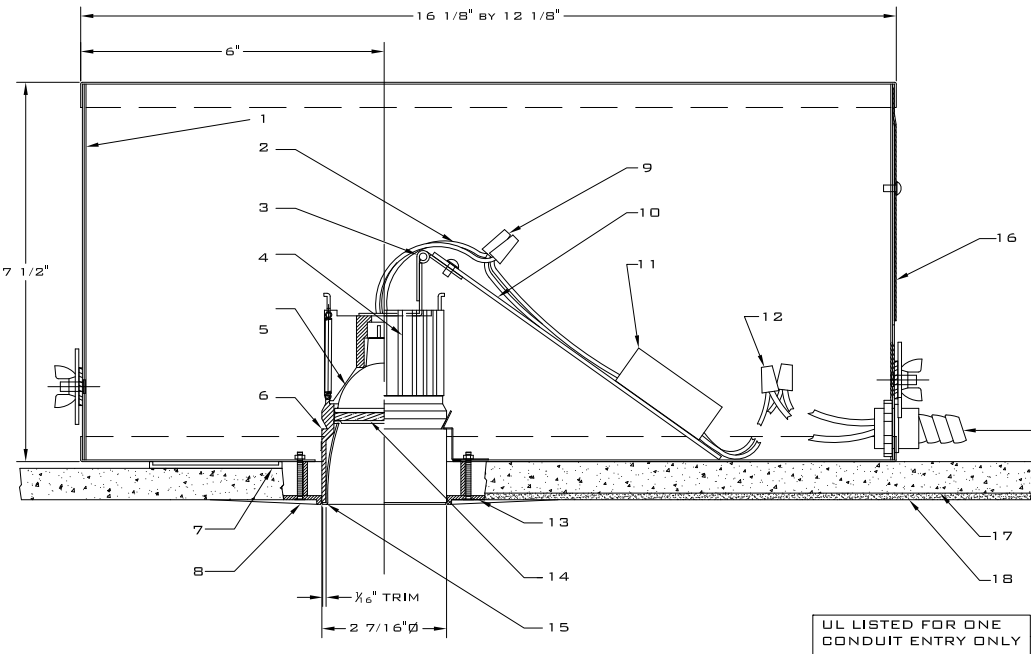
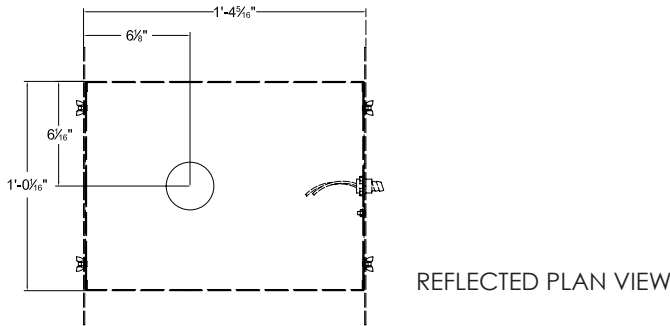
FOR GYPSUM BOARD CEILINGS

Microlux 16 is a miniaturized incandescent MR16 downlight designed to provide the most discrete and minimal form of recessed illumination available for a demanding aesthetic. It is designed for flangeless mounting in gypsum board ceilings. The parabolic cone provides optimal brightness control in a variety of finishes. Its IC rating allows the fixture to be used in insulated ceilings.

FEATURES:

- Small 2-1/2" diameter aperture
- Lamping options: 12V 71W Max
- IC Rated
- Ceiling applications: 5/8" gypsum board
- Suitable for wet location if trim lens is specified

MICROLUX 16 is NRTL (Nationally Recognized Testing Laboratory) certified for purposes of OSHA safety standards product-approval requirements.



NOTES:

1. Housing
2. #18 Teflon ins. wire from lampholder
3. Hinged connection
4. Lampholder heatsink assembly
5. 12V MR16 lamp 71W Max, 65W recommended (by others)
6. Lathe turned aluminum front fitting
7. NULUX MIC-SP spacer
8. Tape and joint compound
9. Wire connectors
10. 1/8" Phenolic sheet
11. 75W electronic transformer
12. Allow slack
13. Lathe turned aluminum ring
14. Beam-cleaner lens
15. Specular parabolic anodized aluminum cone
16. Access cover (for use during installation only)
17. 5/8" gypsum board
18. 1/8" skim coat

ORDERING MATRIX: M16-G- _ _ _ - _ _ _ _

Application	Voltage	Transformer	Cone Finish	Lamp Lens	Trim Lens	Additional Accessories
D Downlight	120 120/12V	E Electronic	C Clear	CL Clear	N None	N None
	277 277/12V	AE AFCI Electronic	P Pewter	SO Solite		HC Hex Cell Louver
	12 12V (Remote)	R Remote	G Gold	SD Stippled		CUV Clear UV Lens
			B Black	LS5 Linear Spread 55°		O Other
			W White	LS7 Linear Spread 75°		UVC UV Coated Lamp Lens
			CC Custom	WW Wallwash 55/75°		
			* Add Etch			

Contact NULUX directly to specify custom products.

* To Specify Etch Cone Finish, versus standard Specular Finish, place asterisk after Cone Finish designation in matrix.

07/09/15