



MICROLUX U

CMH MR16 Adjustable Angle

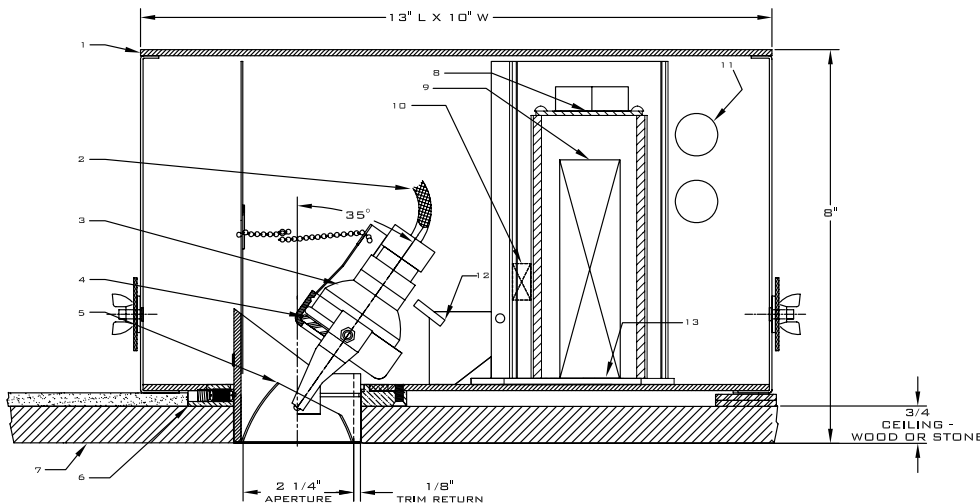
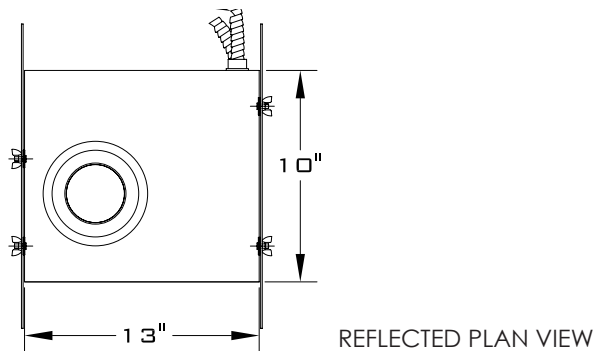
FOR WOOD OR STONE CEILINGS

MICROLUX U CMH is a miniaturized MH MR16 adjustable accent fixture designed to provide the most discrete form of recessed space and object illumination available for a demanding aesthetic. It is designed for seamless integration into wood or stone ceilings. The parabolic cone provides optimal brightness control in a variety of finishes.

FEATURES:

- Cone assembly has full 360° rotation & 35° lampholder tilt
- Option to change from adjustable to fixed vertical lamp
- Miniaturized 2-1/4" diameter aperture
- Low brightness parabolic reflector cone
- Lamping options: 20W or 39W CMH MR16 Lamp
- Ceiling applications: 3/4" wood or stone ceilings
- Non-IC thermally protected luminaire
- Suitable for damp location with open trim assembly
- Suitable for wet location only with covered ceiling mount and lens trim assembly

MICROLUX U CMH AA is NRTL (Nationally Recognized Testing Laboratory) certified for purposes of OSHA safety standards product-approval requirements.



NOTES:

1. Access cover (use during install only)
2. #18 Teflon insulating wire
3. 20W or 39W CMH MR16 Lamp (by others)
4. Solite lamp lens
5. Clear anodized parabolic reflector cone
6. Lathe turned aluminum ring
7. 3/4" wood or stone ceiling
8. Wiring compartment
9. 120V or 277V MH Ballast
10. Thermal protector
11. Knockouts for fixture wiring
12. Latch release
13. Main arm base

ORDERING MATRIX: MU-CMH-W- - - - -

Application	Electronic Ballast Voltage	MH Lamp Wattage	Cone Finish	Lamp Lens	Trim Lens	Additional Accessories
AA Adjustable Angle	120 120V	20 20W Lamp	C Clear	CL Clear	N None	N None
	277 277V	39 39W Lamp	P Pewter	SO Solite		UVC UV Coating
	12 12V (Remote)		G Gold	SD Stippled		CUV Clear UV Lens
			B Black	LS5 Linear Spread 55°		O Other
			W White	LS7 Linear Spread 75°		WL Wet Location Lens
			CC Custom	WW Wallwash 55/75°		
			* Add Etch			

Contact NULUX directly to specify custom products

*To specify Etch Cone Finish, versus standard Specular Finish, place asterisk after Cone Finish designation in matrix.

5/21/2015