



MICROLUX U

CMH MR16 AA, Deep Angle Cut

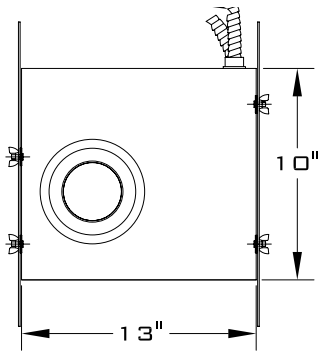
FOR GYPSUM BOARD CEILINGS

MICROLUX U CMH DAC is a miniaturized MH MR16 adjustable accent fixture designed to provide the most discrete form of recessed space and object illumination available for a demanding aesthetic. It is designed for seamless integration into gypsum board ceilings. The parabolic cone provides optimal brightness control in a variety of finishes.

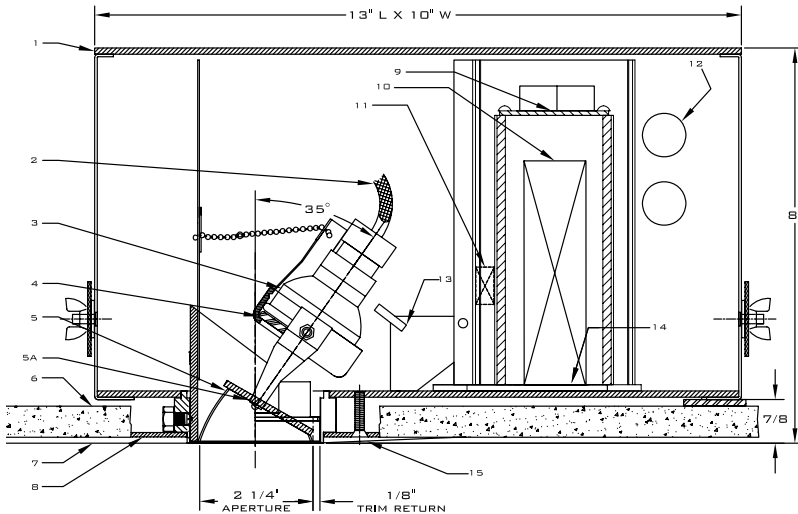
FEATURES:

- Cone assembly has full 360° rotation & 35° lampholder tilt
- Option to change from adjustable to fixed vertical lamp
- Miniaturized 2-1/4" diameter aperture
- Low brightness parabolic reflector cone
- Lamping options: 20W or 39W CMH MR16 Lamp
- Ceiling applications: 5/8" gypsum board
- Non-IC thermally protected luminaire
- Suitable for damp location with open trim assembly
- Suitable for wet location only with covered ceiling mount and lens trim assembly

MICROLUX U CMH DAC is NRTL (Nationally Recognized Testing Laboratory) certified for purposes of OSHA safety standards product-approval requirements.



REFLECTED PLAN VIEW



NOTES:

1. Access cover (use during install only)
2. #18 Teflon insulating wire
3. 20W or 39W CMH MR16 Lamp (by others)
4. Solite lamp lens
5. Clear anodized parabolic reflector cone
- 5A. Light etch trim lens
6. 5/8" gypsum board ceiling
7. 1/8" skim coat
8. Lathe turned aluminum ring
9. Wiring compartment
10. 120V or 277V MH Ballast
11. Thermal protector
12. Latch release
13. Knockouts for fixture wiring
14. Main arm base
15. Tape & Joint compound

ORDERING MATRIX: MU-CMH-G- - - - -

Application	Electronic Ballast Voltage		MH Lamp Wattage		Cone Finish		Lamp Lens		Trim Lens		Additional Accessories	
DAC Deep Angle Cut	120	120V	20	20W Lamp	C	Clear	CL	Clear	N	None	N	None
	277	277V	39	39W Lamp	P	Pewter	SO	Solite	LE	Light Etch	UVC	UV Coating
	12	12V (Remote)			G	Gold	SD	Stippled	SO	Solite	CUV	Clear UV Lens
				B	Black	LS5	Linear Spread 55°			O	Other	
				W	White	LS7	Linear Spread 75°			WL	Wet Location Lens	
				CC	Custom	WW	Wallwash 55/75°					
				*	Add Etch							

Contact NULUX directly to specify custom products

*To specify Etch Cone Finish, versus standard Specular Finish, place asterisk after Cone Finish designation in matrix.

5/21/2015