



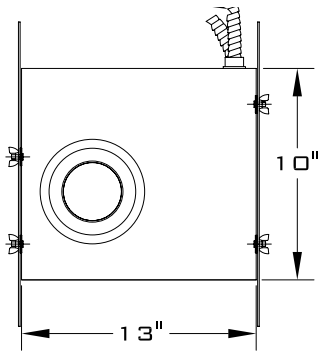
# MICROLUX U

## CMH MR16 Downlight

FOR GYPSUM BOARD CEILINGS

MICROLUX U CMH DL is a miniaturized MH MR16 downlight fixture designed to provide the most discrete form of general recessed space illumination available for a demanding aesthetic. It is designed for seamless integration into gypsum board ceilings. The parabolic cone provides optimal brightness control in a variety of finishes.

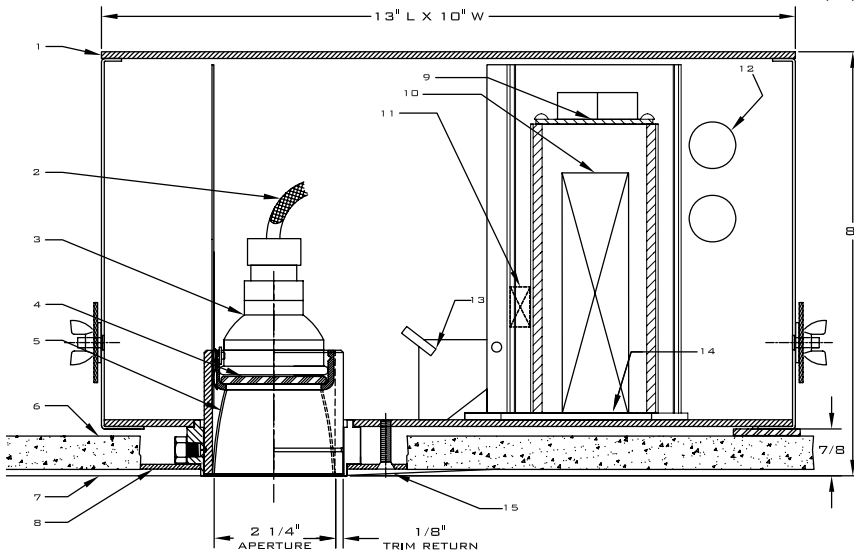
REFLECTED PLAN VIEW



### FEATURES:

- Fixed Downlight Cone assembly
- Miniaturized 2-1/4" diameter aperture
- Low brightness parabolic reflector cone
- Lamping options: 20W or 39W CMH MR16 Lamp
- Ceiling applications: 5/8" gypsum board
- Non-IC thermally protected luminaire
- Suitable for damp location with open trim assembly
- Suitable for wet location only with covered ceiling mount and lens trim assembly

MICROLUX U CMH DL is NRTL (Nationally Recognized Testing Laboratory) certified for purposes of OSHA safety standards product-approval requirements.



### NOTES:

1. Access cover (use during install only)
2. #18 Teflon insulating wire
3. 20W or 39W CMH MR16 Lamp (by others)
4. Solite lamp lens
5. Clear anodized parabolic reflector cone
6. 5/8" gypsum board ceiling
7. 1/8" skim coat
8. Lathe turned aluminum ring
9. Wiring compartment
10. 120V or 277V MH Ballast
11. Thermal protector
12. Latch release
13. Knockouts for fixture wiring
14. Main arm base
15. Tape & Joint compound

### ORDERING MATRIX: MU-CMH-G- - - - -

Application	Electronic Ballast Voltage	MH Lamp Wattage	Cone Finish	Lamp Lens	Trim Lens	Additional Accessories
<b>D</b> Downlight	<b>120</b> 120V	<b>20</b> 20W Lamp	<b>C</b> Clear	<b>CL</b> Clear	<b>N</b> None	<b>N</b> None
	<b>277</b> 277V	<b>39</b> 39W Lamp	<b>P</b> Pewter	<b>SO</b> Solite		<b>UVC</b> UV Coating
	<b>12</b> 12V (Remote)		<b>G</b> Gold	<b>SD</b> Stippled		<b>CUV</b> Clear UV Lens
			<b>B</b> Black	<b>LS5</b> Linear Spread 55°		<b>O</b> Other
			<b>W</b> White	<b>LS7</b> Linear Spread 75°		<b>WL</b> Wet Location Lens
			<b>CC</b> Custom	<b>WW</b> Wallwash 55/75°		
			<b>*</b> Add Etch			

Contact NULUX directly to specify custom products

\*To specify Etch Cone Finish, versus standard Specular Finish, place asterisk after Cone Finish designation in matrix.

5/21/2015