



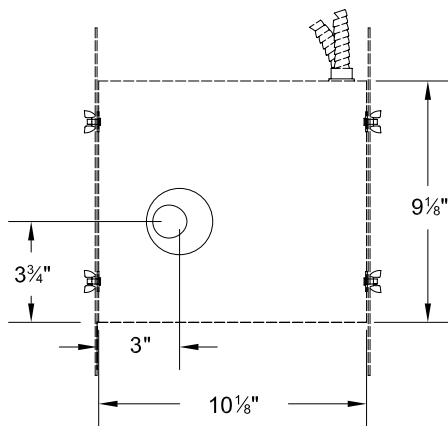
# MICROLUX U

## MR16 DEEP ANGLE CUT

FOR GYPSUM BOARD CEILINGS

MICROLUX U is a miniaturized incandescent MR16 adjustable accent fixture designed to provide the most discrete form of recessed space and object illumination available for a demanding aesthetic. It is designed for seamless integration into gypsum board ceilings. The parabolic cone provides optimal brightness control in a variety of finishes.

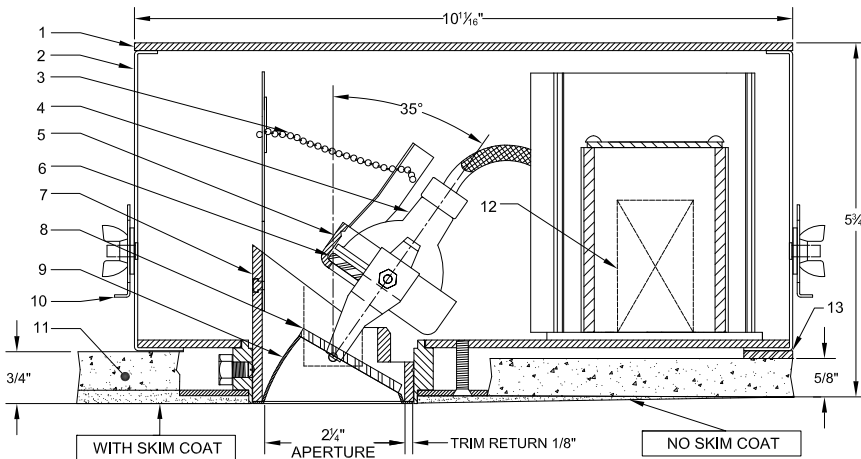
REFLECTED PLAN VIEW



### FEATURES:

- Cone assembly has full 360° rotation & 35° lampholder tilt
- Option to change from adjustable to fixed vertical lamp
- Miniaturized 2-1/4" diameter aperture
- Low brightness parabolic reflector cone
- Lamping options: 12V 65W Max
- Non-IC thermally protected luminaire
- Ceiling applications: 3/4" gypsum board
- Suitable for damp location with open trim assembly
- Suitable for wet location only with covered ceiling mount and lens trim assembly

MICROLUX U is NRTL (Nationally Recognized Testing Laboratory) certified for purposes of OSHA safety standards product-approval requirements.



### NOTES:

1. Access cover (use during install only)
2. Housing
3. Tilt adjustment chain
4. 12V Lamp 65W Max (by others)
5. Lamp holder/Reflector cone assembly
6. Lamp lens
7. Cone assembly
8. Trim Lens
9. Cone
10. Mounting bar
11. 3/4" gypsum board ceiling
12. Electronic transformer
13. Spacer (by others)

### ORDERING MATRIX: MU-G- - - - -

Application	Voltage	Transformer	Cone Finish	Lamp Lens	Trim Lens	Additional Accessories
<b>DAC</b> Deep Angle	<b>120</b> 120/12V	<b>E</b> Electronic	<b>C</b> Clear	<b>CL</b> Clear	<b>S</b> Solite	<b>N</b> None
	<b>277</b> 277/12V	<b>AE</b> AFCI Electronic	<b>P</b> Pewter	<b>SO</b> Solite	<b>WW</b> Wallwash 55/75°	<b>HC</b> Hex Cell Louver
	<b>12</b> 12V (Remote)	<b>R</b> Remote	<b>G</b> Gold	<b>SD</b> Stippled		<b>CUV</b> Clear UV Lens
			<b>B</b> Black	<b>LS5</b> Linear Spread 55°		<b>O</b> Other
			<b>W</b> White	<b>LS7</b> Linear Spread 75°		<b>UVC</b> UV Coated Lamp Lens
			<b>CC</b> Custom	<b>WW</b> Wallwash 55/75°		<b>WL</b> Wet Location Lens
			<b>*</b> Add Etch			

Contact NULUX directly to specify custom products.

\*To specify Etch Cone Finish, versus standard Specular Finish, place asterisk after Cone Finish designation in matrix.

5/21/2015