



MICROLUX U

MR16 DOWNLIGHT

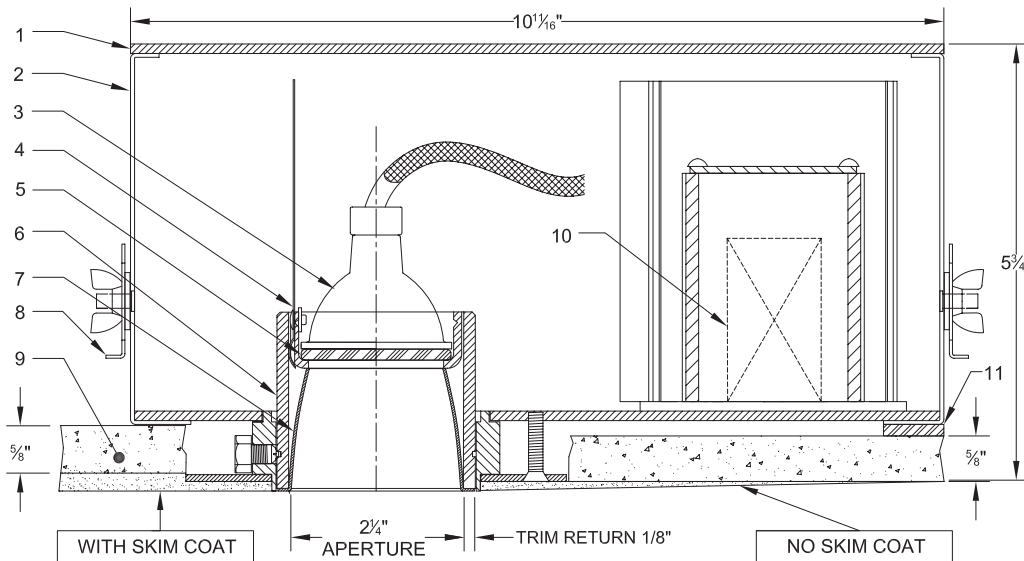
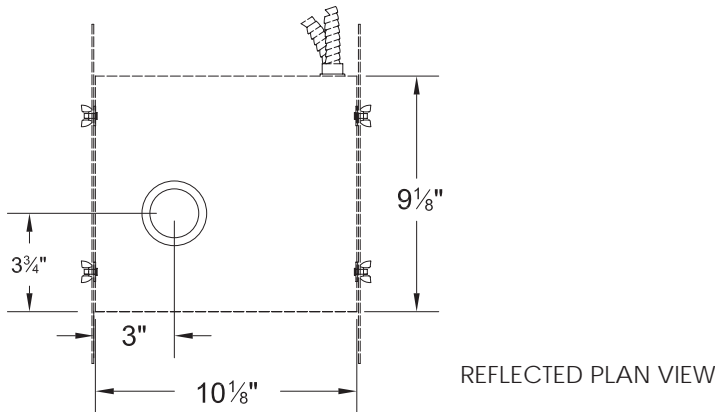
FOR GYPSUM BOARD CEILINGS

MICROLUX U is a miniaturized incandescent MR16 downlight fixture designed to provide the most discrete form of recessed space and object illumination available for a demanding aesthetic. It is designed for seamless integration into gypsum board ceilings. The parabolic cone provides optimal brightness control in a variety of finishes.

FEATURES:

- Miniaturized 2-1/4" diameter aperture
- Low brightness parabolic reflector cone
- Lamping options: 12V 65W Max
- Non-IC Thermally protected luminaire
- Ceiling applications: 5/8" gypsum board

MICROLUX U is NRTL (Nationally Recognized Testing Laboratory) certified for purposes of OSHA safety standards product-approval requirements.



NOTES:

1. Access cover (use during install only)
2. Housing
3. 12V Lamp 65W Max (by others)
4. Lamp holder/Reflector cone assembly
5. Lamp lens
6. Cone assembly
7. Reflector cone
8. Mounting Bar
9. 5/8" Gypsum board ceiling
10. Electronic transformer
11. Spacer (by others)

ORDERING MATRIX: MU-G- _____

Application	Voltage	Transformer	Cone Finish	Lamp Lens	Trim Lens	Additional Accessories
D Downlight	120 120/12V	E Electronic	C Clear (*Etch)	CL Clear	N None	N None
	277 277/12V	AE AFCI Electronic	P Pewter (*Etch)	SO Solite		HC Hex Cell louver
		R Remote	G Gold (*Etch)	SD Stippled		CUV Clear UV Lens
			B Black (*Etch)	LS5 Linear Spread 55°		O Other
			W White (*Etch)	LS7 Linear Spread 75°		UVV UV Coated lamp lens
			CC Custom (*Etch)	WW Wallwash 55/75°		

Contact NULUX directly to specify custom products

*To specify Etch Cone Finish, versus standard Specular Finish, place asterisk after Cone Finish designation in matrix.

11/10/10

