



MICROLUX U

MR16 DOWNLIGHT, SHALLOW

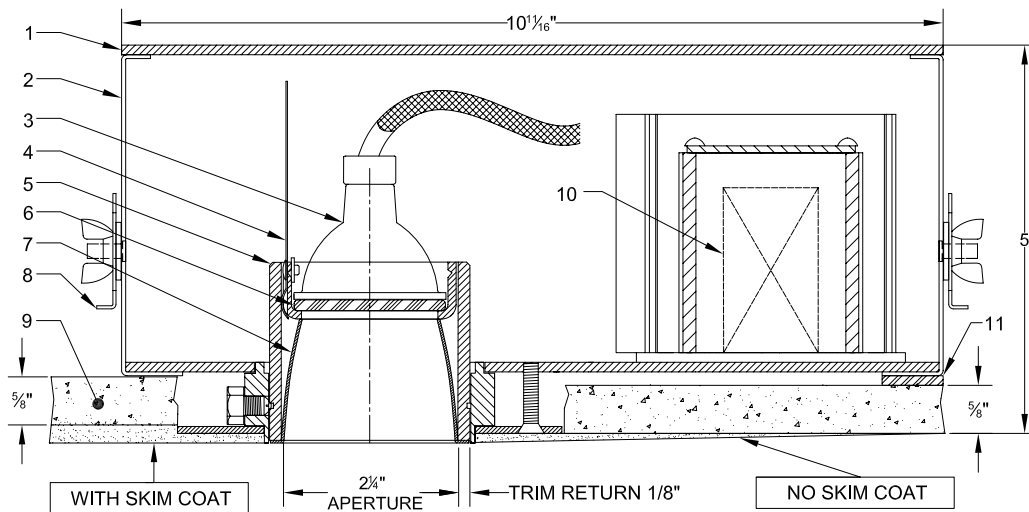
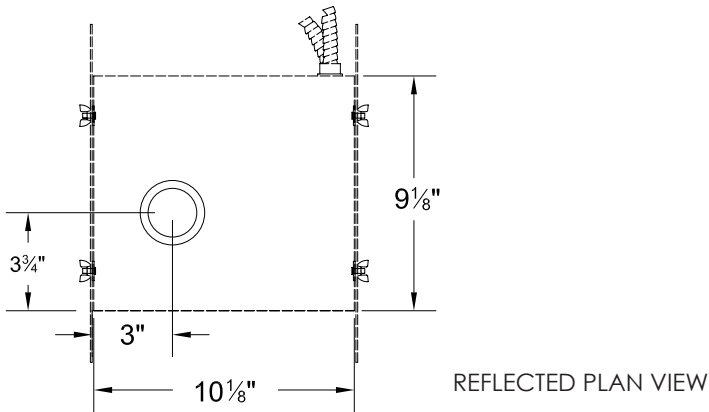
FOR GYPSUM BOARD CEILINGS

MICROLUX U is a miniaturized incandescent MR16 downlight fixture designed to provide the most discrete form of recessed space and object illumination available for a demanding aesthetic. It is designed for seamless integration into gypsum board ceilings. The parabolic cone provides optimal brightness control in a variety of finishes.

FEATURES:

- Miniaturized 2-1/4" diameter aperture
- Low brightness parabolic reflector cone
- Shortened overall housing height
- Lamping options: 12V 50W Max
- Non-IC thermally protected luminaire
- Ceiling applications: 5/8" gypsum board
- Suitable for damp location with open trim assembly
- Suitable for wet location only with covered ceiling mount and lens trim assembly

MICROLUX U is NRTL (Nationally Recognized Testing Laboratory) certified for purposes of OSHA safety standards product-approval requirements.



NOTES:

1. Access cover (use during install only)
2. Housing
3. 12V lamp 50W Max (by others)
4. Lamp holder/Reflector assembly
5. Cone assembly
6. Lamp lens
7. Cone
8. Mounting bar
9. 5/8" Gypsum board ceiling
10. Electronic transformer
11. Spacer (by others)

ORDERING MATRIX: MU-SHALLOW-G- - - - -

Application	Voltage		Transformer		Cone Finish		Lamp Lens		Trim Lens	Additional Accessories		
D Downlight	120	120/12V	E	Electronic	C	Clear	CL	Clear	N	None	N	None
	277	277/12V	R	Remote	P	Pewter	SO	Solite			HC	Hex Cell Louver
	12	12V (Remote)			G	Gold	SD	Stippled			CUV	Clear UV Lens
					B	Black	LS5	Linear Spread 55°			O	Other
					W	White	LS7	Linear Spread 75°			UVC	UV Coated Lamp Lens
					CC	Custom	WW	Wallwash 55/75°			WL	Wet Location Lens
					*	Add Etch						

Contact NULUX directly to specify custom products.

*To specify Etch Cone Finish, versus standard Specular Finish, place asterisk after Cone Finish designation in matrix.

5/24/2015