

MICROLUX U SQUARE

ADJUSTABLE ACCENT

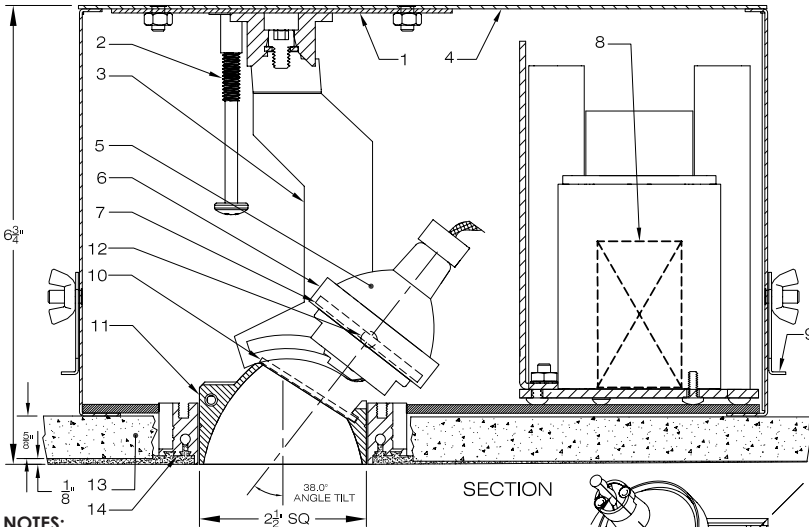
FOR GYPSUM BOARD CEILINGS

MICROLUX U SQUARE is a square aperture luminaire with the ability to switch between downlight and adjustable accent applications. The MICROLUX U SQUARE AA integrates seamlessly into the finished gypsum board ceiling and is designed to provide maximum flexibility in illuminating artwork and objects from a small aperture.

FEATURES:

- Small 2.5" x 2.5" square aperture
- Adjustable accent has full 360° rotation and 38° lampholder tilt
- Low brightness square reflector cone with angled cut
- Cone held in place by spring-loaded ball catches
- Dovetail groove screed for trimless gypsum board ceiling installation
- Individual lensing options at both lamp and trim
- Additional accessories are available
- Non-IC thermally protected luminaire
- Suitable for damp location with open trim assembly
- Suitable for wet location only with covered ceiling mount and lens trim assembly

MICROLUX U SQUARE is NRTL (Nationally Recognized Testing Laboratory) certified for purposes of OSHA safety standards product-approval requirements.



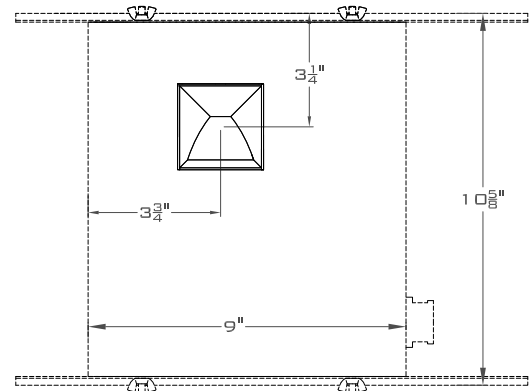
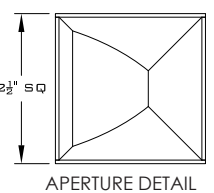
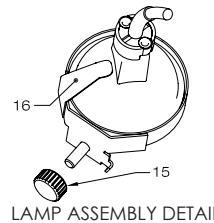
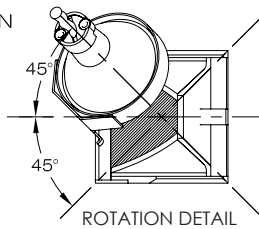
NOTES:

1. 360 degree rotation disc
2. Rotation lock screw
3. Arc slotted yoke allows 0-38 degree tilt, locks with knob
4. 18 GA steel housing
5. 12V MR16 lamp, 50W Max (by others)
6. Lampholder assembly
7. Lamp assembly lens
8. Electronic transformer
9. Adjustable mounting bars
10. Optional trim lens
11. 2.5" x 2.5" square cone with angled cut
12. Lens rotation lock
13. Ceiling 5/8" gypsum board + 1/8" skim coat
14. Dovetail groove screed
15. Tilt adjustment lock knob
16. Lamp retaining spring

CONE POSITION:

Lampholder assembly rotates a full 360°. Cone may be rotated to 4 positions at 90° intervals. Each position accommodates lamp rotation up to 45° offset from center, in either direction. Square cone design provides minimal light loss at the full 45° offset.

Please note when adjusting tilt angle, trim and lampholder assembly need to be removed from housing



ORDERING MATRIX: MUSQ-G- - - - -

Application	Voltage	Transformer	Cone Finish	Lamp Lens	Trim Lens	Additional Accessories
AA Adj Angle	120 120/12V	E Electronic	C Clear	CL Clear	N None	N None
	277 277/12V	AE AFCI Electronic	P Pewter	SO Solite	C Clear	HC Hex Cell Louver
	12 12V (Remote)	R Remote	G Gold	LS Light Etch Solite	S Solite	CUV Clear UV Lens
			B Black	SD Stippled		O Other
			W White	LS5 Linear Spread 55°		WL Wet Location Lens
			CC Custom	LS7 Linear Spread 75°		
			* Add Etch	WW Wallwash 55/75°		

Contact NULUX directly to specify custom products.

* To Specify Etch Cone Finish, versus standard Specular Finish, place asterisk after Cone Finish designation in matrix.

5/26/2015