

MICROLUX U SQUARE

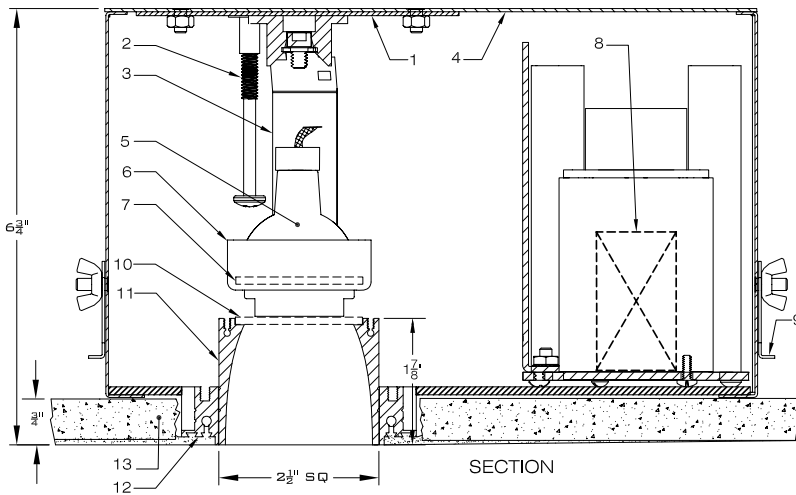
DOWNLIGHT

FOR GYPSUM BOARD CEILINGS

MICROLUX U SQUARE is a square aperture luminaire with the ability to switch between downlight and adjustable accent applications. The MICROLUX U SQUARE DOWNLIGHT is designed to integrate seamlessly into the finished gypsum board ceiling and provide maximum flexibility in illuminating spaces and objects from a small aperture.

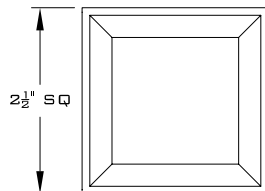
FEATURES:

- Small 2.5" x 2.5" square aperture
- Standard fixed position downlight lamp assembly
- Low brightness square reflector cone
- Dovetail groove screed for trimless gypsum board ceiling installation
- Individual lensing options at both lamp and trim
- Non-IC thermally protected luminaire
- Suitable for damp location with open trim assembly
- Suitable for wet location only with covered ceiling mount and lens trim assembly

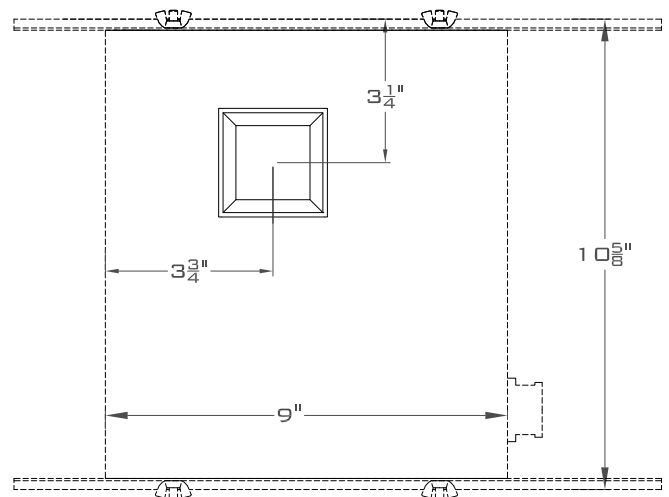


NOTES:

1. 360 degree rotation disc
2. Rotation lock screw
3. Fixed downlight yoke
4. 18 GA steel housing
5. 12V MR16 lamp, 50W Max (by others)
6. Lampholder assembly
7. Lamp assembly lens
8. Electronic transformer
9. Mounting bars
10. Optional trim lens
11. 2.5" x 2.5" square parabolic aluminum cone
12. Dovetail groove screed
13. Ceiling: 5/8" gypsum board + 1/8" skim coat



APERTURE DETAIL



ORDERING MATRIX: MUSQ-G- _____

Application	Voltage	Transformer	Cone Finish	Lamp Lens	Trim Lens	Additional Accessories
D Downlight	120 120/12V	E Electronic	C Clear	CL Clear	N None	N None
	277 277/12V	AE AFCI Electronic	P Pewter	SO Solite	C Clear Pyrex	HC Hex Cell Louver
	12 12V (Remote)	R Remote	G Gold	LS Light Etch Solite	S Solite	CUV Clear UV Lens
			B Black	SD Stippled		O Other
			W White	LS5 Linear Spread 55°		WL Wet Location Lens
			CC Custom	LS7 Linear Spread 75°		
			* Add Etch	WW Wallwash 55/75°		

Contact NULUX directly to specify custom products.

* To Specify Etch Cone Finish, versus standard Specular Finish, place asterisk after Cone Finish designation in matrix.

5/26/2015