



SQUARELUX 2

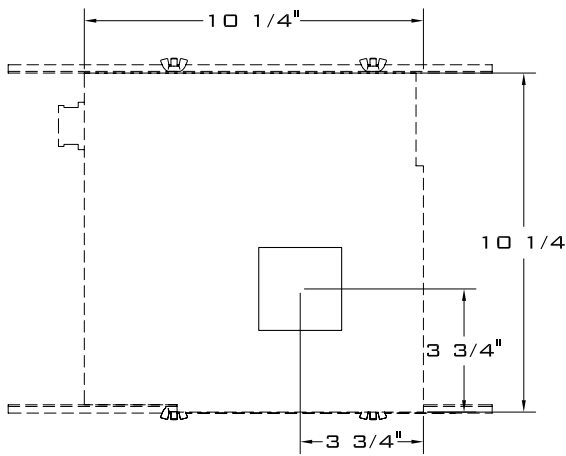
ADJUSTABLE ACCENT

FOR GYPSUM BOARD CEILINGS

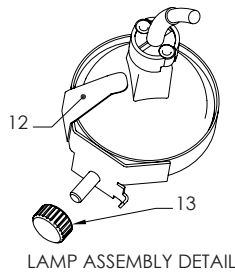
SQUARELUX 2 is a 2.5 inch square aperture luminaire with a two ply glass lens that sits flush with the finished ceiling plane. Suitable for adjustable accent applications, this fixture utilizes a MR16 lamp. SQUARELUX 2 integrates seamlessly into the finished gypsum board ceiling and is designed to provide maximum flexibility in illuminating artwork and objects through a lensed aperture.

FEATURES:

- Small 2.5" x 2.5" square aperture
- Adjustable accent has full 360° rotation and 45° tilt
- Trimless gypsum board ceiling installation
- Individual lensing options at lamp
- Exclusive two-ply glass lens
- Non-IC thermally protected luminaire



REFLECTED PLAN VIEW

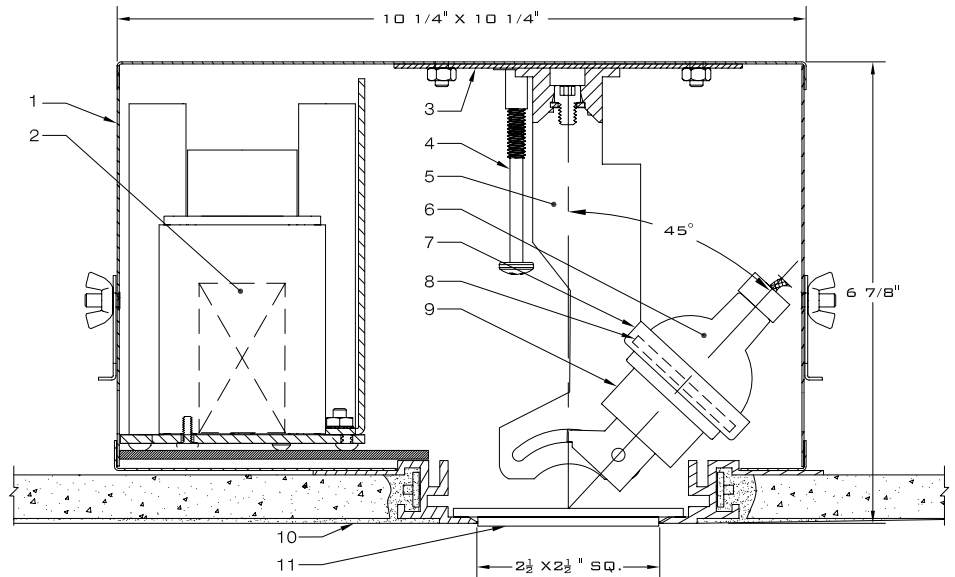


LAMP ASSEMBLY DETAIL

NOTES:

1. 20 GA steel housing
2. Electronic transformer
3. 360° rotation disc
4. Rotation lock screw
5. Arc slotted yoke allows 0-45° locakble tilt
6. 12V MR16 lamp, 50W Max (by others)
7. Lamp holder assembly
8. Lamp lens
9. Object front snoot
10. Ceiling 5/8" gypsum board + 1/8" skim coat
11. 2 ply glass lens
12. Lamp retaining spring
13. Tilt adjustment lock knob

SQUARELUX 2 is NRTL (Nationally Recognized Testing Laboratory) certified for purposes of OSHA safety standards product-approval requirements.



ORDERING MATRIX: SQ2-G- _____

Application		Lamp	Voltage		Interior Finish		Lamp Lens		Trim Lens		Additional Accessories	
AA	Adj Angle	50 50W Max MR16	120	120V	WH	White	CL	Clear	N	None	N	None
					BL	Black	SO	Solite	S	Solite / Clear Pyrex	HC	Hex Cell Louver
					CU	Custom	LS	Light Etch Solite	SS	Solite / Solite	CUV	Clear UV Lens
							SD	Stippled	SL	Solite / Light Etch	O	Other
							LS5	Linear Spread 55°	FO	Flashed Opal		
							LS7	Linear Spread 75°				
							WW	Wallwash 55°/75°				

Contact NULUX directly to specify custom products

07/10/14