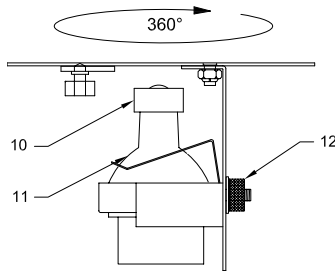
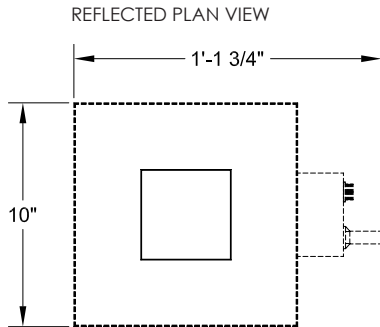


SQUARELUX 4

MR16 ADJUSTABLE ACCENT

FOR GYPSUM BOARD CEILINGS

SQUARELUX 4 appears as a 4" square illuminated glass surface coplanar with a gypsum board ceiling. No flange or trim is visible from below. A two-layer laminated glass lens sits flush with the ceiling line. An optional reveal in the glass outlines the floating lens. Fixture utilizes a single 120V MR16 50W lamp in the fixed downlight position. A layer of Solite with a back layer of clear borosilicate is the default lens. SQUARELUX 4 is designed for flangeless mounting into a gypsum board ceiling.



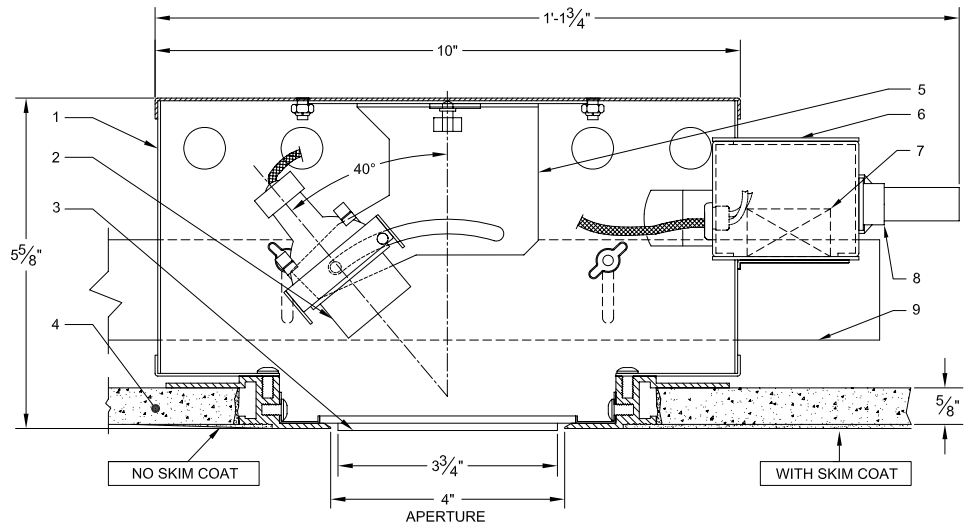
FEATURES:

- Small 4" x 4" square aperture
- Adjustable accent has full 360° rotation and 43° tilt
- Trimless gypsum board ceiling installation
- Exclusive two-ply glass lens
- Various two-ply lensing options
- Non-IC Thermally protected luminaire

SQUARELUX 4 is NRTL (Nationally Recognized Testing Laboratory) certified for purposes of OSHA safety standards product-approval requirements.

NOTES:

1. Housing
2. Object front end
3. Two-ply lens
4. 5/8" gypsum board ceiling
5. Adjustment yoke
6. Transformer box
7. Electronic transformer
8. Thermal protector
9. Adjustable mounting bar (2)
10. Porcelain lampholder
11. 12V MR16 50W lamp (by others)
12. Angle adjustment locking knob



ORDERING MATRIX: SQ4-G- _ _ _ _ - _ _ _ _ _

Application	Lamp	Voltage	Transformers	Interior Finish	Lamp Lens	Aperture Lens	Additional Accessories
AA Adj Angle	50 50W Max MR16	120 120V	E Electronic	WH White	CL Clear	SL Solite / Light Etch	N None
			M Magnetic	CU Custom	SO Solite	S Solite / Clear Pyrex	UVC UV coating
			R Remote*		LS Light Etch Solite	SS Solite / Solite	O Other
			AE AFCI Electronic		SD Stippled	FO Flashed Opal	
					LS5 Linear Spread 55°	N None	
					LS7 Linear Spread 75°		
					WW Wallwash 55°/75°		

Contact NULUX directly to specify custom products.
 * Remote transformer by others; Qtran recommended.