



SQUARELUX 4

ADJUSTABLE ACCENT

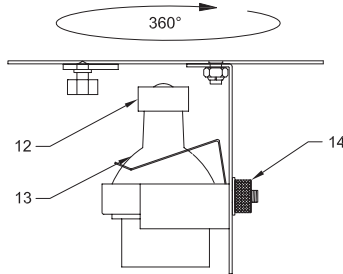
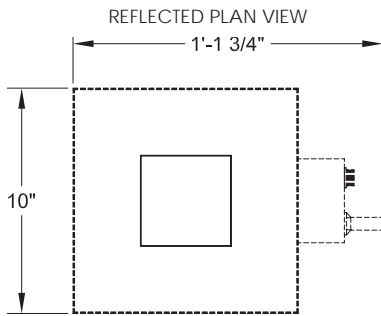
FOR WOOD OR STONE CEILINGS

SQUARELUX 4 appears as a 4" square illuminated glass surface coplanar with a gypsum board ceiling. No flange or trim is visible from below. A two-layer laminated glass lens sits flush with the ceiling line. An optional reveal in the glass outlines the floating lens. Fixture utilizes a single 120V MR16 50W lamp in the fixed downlight position. A layer of Solite with a back layer of clear borosilicate is the default lens. SQUARELUX 4 is designed for flangeless mounting into a wood or stone ceiling.

FEATURES:

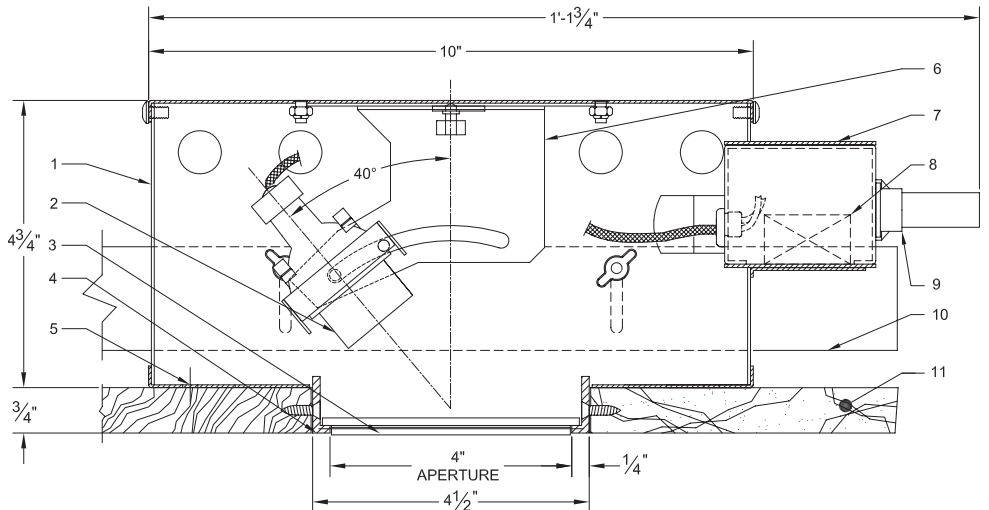
- Small 4" x 4" square aperture
- Fixed downlight A19 lamp, 60W Max
- Exclusive two-ply glass lens
- Various two-ply lensing options
- Non-IC Thermally protected luminaire

SQUARELUX 4 is NRTL (Nationally Recognized Testing Laboratory) certified for purposes of OSHA safety standards product-approval requirements.



NOTES:

1. Housing
2. Object front end
3. 2 Ply lens
4. Brass trim (painted finish by others)
5. 1/4" Diameter mounting hole
6. Adjustable yoke
7. Transformer box
8. Electronic transformer
9. Thermal Protector
10. Adjustable mounting bar (2)
11. 3/4" Wood or stone ceiling
12. Porcelain lampholder
13. 120V 50W MR16 lamp (by others)
14. Angle locking knob



ORDERING MATRIX: SQ4-W- _____ - _____

| Application | | Lamp | Voltage | | Interior Finish | | Lens Options | | Lens Configuration | | Additional Accessories | |
|-------------|-----------|-------------------|---------|------|-----------------|--------|--------------|----------------------|--------------------|-----------|------------------------|------------|
| AA | Adj Angle | 50 50W Max MR16 | 120 | 120V | WH | White | N | None | R | Reveal | N | None |
| | | | | | CU | Custom | S | Clear Pyrex / Solite | NR | No Reveal | UVC | UV coating |
| | | | | | | | SS | 2 ply Solite | | | O | Other |
| | | | | | | | SL | Solite / Light Etch | | | | |
| | | | | | | | FO | Flashed Opal | | | | |

Contact NULUX directly to specify custom products

11/10/10