



# SQUARELUX 4 CMH

ADJUSTABLE ACCENT

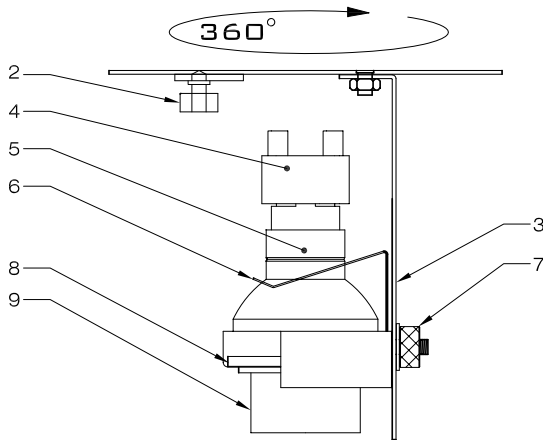
FOR GYPSUM BOARD CEILINGS

SQUARELUX 4 CMH is a four inch square aperture luminaire with a two ply glass lens that sits flush with the finished ceiling plane. Suitable for adjustable accent applications, this fixture uses an energy efficient 20W CMH MR16 lamp. SQUARELUX 4 CMH integrates seamlessly into the finished gypsum board ceiling and is designed to provide maximum flexibility in illuminating artwork and objects through a lensed aperture.

## FEATURES:

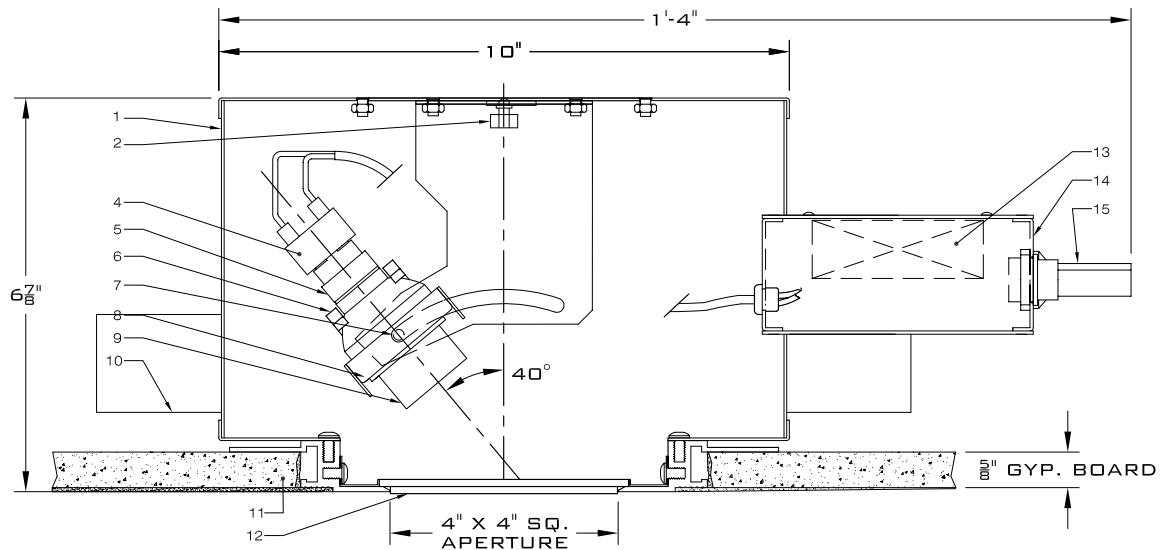
- 4" x 4" square aperture
- Adjustable accent has full 360° rotation and 40° tilt
- Plaster screed detail for trimless gypsum board ceiling installation
- Individual lensing options at lamp
- Exclusive two-ply glass lens
- Non-IC thermally protected luminaire

SQUARELUX 4 CMH is NRTL (Nationally Recognized Testing Laboratory) certified for purposes of OSHA safety standards product-approval requirements.



## NOTES:

1. 20 GA steel housing
2. Rotation lock screw
3. Lamp holder assembly
4. Porcelain socket
5. 20W CMH MR16 lamp (by others)
6. Lamp retaining spring
7. 0-40° lockable tilt
8. Lamp assembly lens
9. Object front snoot
10. Adjustable mounting bars
11. Ceiling 5/8" gypsum board + 1/8" skim coat
12. 2 ply glass lens
13. 20W MH ballast
14. Ballast box
15. Thermal protector



## ORDERING MATRIX: SQ4-CMH-G- \_\_\_\_\_

| Application |           | Lamp | Voltage      |     | Interior Finish |    | Lamp Lens |     | Aperture Lens     |    | Additional Accessories |     |                 |
|-------------|-----------|------|--------------|-----|-----------------|----|-----------|-----|-------------------|----|------------------------|-----|-----------------|
| AA          | Adj Angle | 20   | 20W CMH MR16 | 120 | 120V            | WH | White     | CL  | Clear             | N  | None                   | N   | None            |
|             |           |      |              | 277 | 277V            | BL | Black     | SO  | Solite            | S  | Solite / Clear Pyrex   | HC  | Hex Cell Louver |
|             |           |      |              |     |                 | CU | Custom    | LS  | Light Etch Solite | SS | Solite / Solite        | CUV | Clear UV Lens   |
|             |           |      |              |     |                 |    |           | SD  | Stippled          | SL | Solite / Light Etch    | O   | Other           |
|             |           |      |              |     |                 |    |           | LS5 | Linear Spread 55° | FO | Flashed Opal           |     |                 |
|             |           |      |              |     |                 |    |           | LS7 | Linear Spread 75° |    |                        |     |                 |
|             |           |      |              |     |                 |    |           | WW  | Wallwash 55°/75°  |    |                        |     |                 |

Contact NULUX directly to specify custom products

05/09/13