



# SQUARELUX 4 CMH

ADJUSTABLE ACCENT

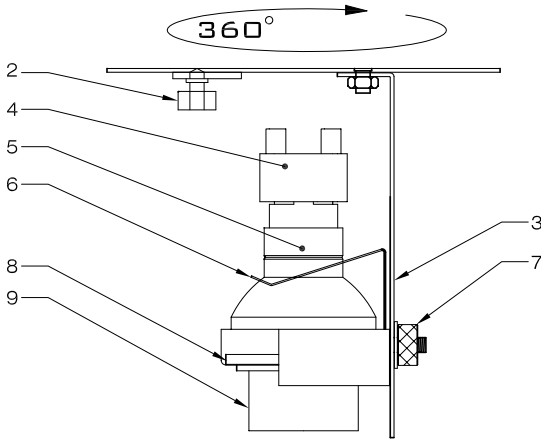
FOR WOOD OR STONE CEILINGS

SQUARELUX 4 CMH is a four inch square aperture luminaire with a two ply glass lens that sits flush with the finished ceiling plane. Suitable for adjustable accent applications, this fixture uses an energy efficient 20W CMH MR16 lamp. SQUARELUX 4 CMH integrates seamlessly into the finished ceiling and is designed to provide maximum flexibility in illuminating artwork and objects through a lensed aperture.

## FEATURES:

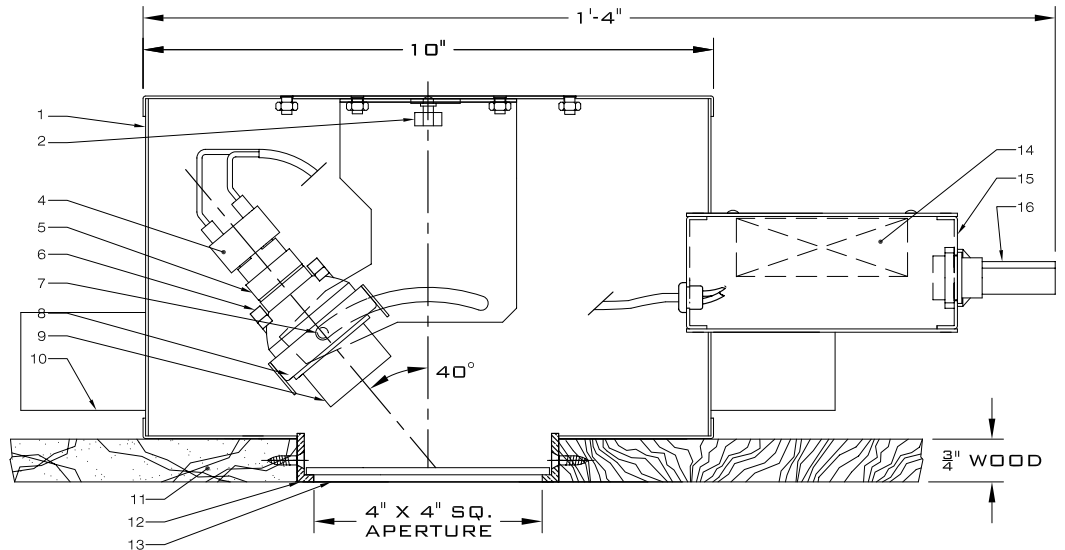
- 4" x 4" square aperture
- Adjustable accent has full 360° rotation and 40° tilt
- Brass throat design holds lens flush with ceiling plane
- Individual lensing options at lamp
- Exclusive two-ply glass lens
- Non-IC thermally protected luminaire

SQUARELUX 4 CMH is NRTL (Nationally Recognized Testing Laboratory) certified for purposes of OSHA safety standards product-approval requirements.



## NOTES:

1. 20 GA steel housing
2. Rotation lock screw
3. Lamp holder assembly
4. Porcelain socket
5. 20W CMH MR16 lamp (by others)
6. Lamp retaining spring
7. 0-40° lockable tilt
8. Lamp assembly lens
9. Object front snoot
10. Adjustable mounting bars
11. Ceiling: 3/4" wood or stone
12. Brass throat, factory primer finish
13. 2 ply glass lens
14. 20W MH ballast
15. Ballast box
16. Thermal protector



## ORDERING MATRIX: SQ4-CMH-W- - - - -

Application	Lamp	Voltage	Interior Finish	Lamp Lens	Aperture Lens	Trim Finish	Additional Accessories
AA Adj Angle	20 20W CMH MR16	120 120V	WH White	CL Clear	N None	P Primed	N None
		277 277V	BL Black	SO Solite	S Solite / Clear Pyrex	C Custom Color Painted	HC Hex Cell Louver
			CU Custom	LS Light Etch Solite	SS Solite / Solite	O Other	CUV Clear UV Lens
				SD Stippled	SL Solite / Light Etch		O Other
				LS5 Linear Spread 55°	FO Flashed Opal		
				LS7 Linear Spread 75°			
				WW Wallwash 55°/75°			

Contact NULUX directly to specify custom products

05/09/13