

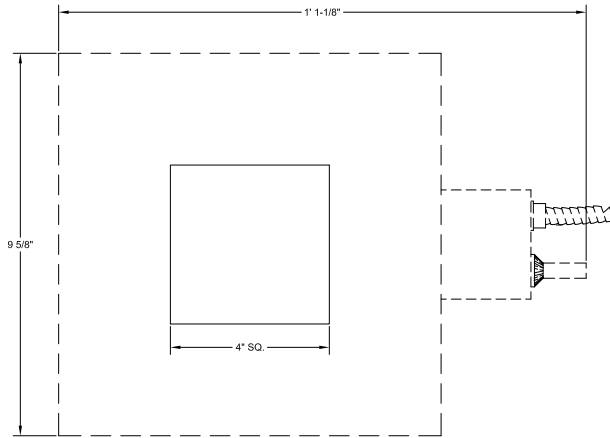
# SQUARELUX 4

## A19 DOWNLIGHT

FOR GYPSUM BOARD CEILINGS

SQUARELUX 4 appears as a 4" square illuminated glass surface coplanar with a gypsum board ceiling. No flange or trim is visible from below. A two-layer laminated glass lens sits flush with the ceiling line. An optional reveal in the glass outlines the floating lens. Fixture utilizes a single 120V A19 60W lamp in the fixed downlight position. A layer of Solite with a back layer of clear borosilicate is the default lens. SQUARELUX 4 is designed for flangeless mounting into a gypsum board ceiling.

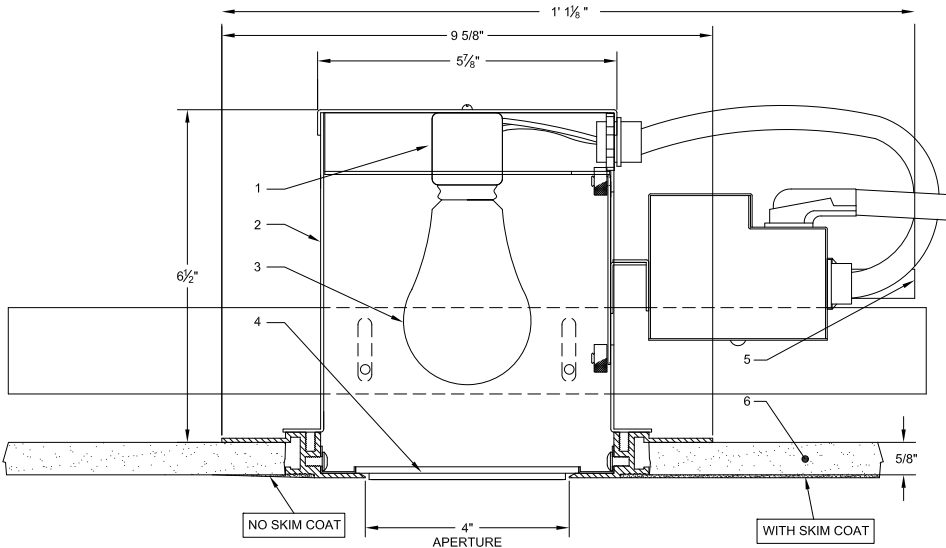
REFLECTED PLAN VIEW



### FEATURES:

- Small 4" x 4" square aperture
- Fixed downlight A19 lamp, 60W Max
- Trimless gypsum board ceiling installation
- Exclusive two-ply glass lens
- Various two-ply lensing options
- Non-IC thermally protected luminaire

SQUARELUX 4 is NRTL (Nationally Recognized Testing Laboratory) certified for purposes of OSHA safety standards product-approval requirements.



### NOTES:

1. Porcelain medium base lampholder
2. Housing
3. 60W Type A19 lamp (by others)
4. Two-ply Flashed opal/Frosted glass lens
5. Thermal protector
6. 5/8" gypsum board ceiling

### ORDERING MATRIX: SQ4-G- \_ \_ \_ - \_ \_ \_ \_

Application		Lamp		Interior Finish		Aperture Lens		Additional Accessories	
<b>D</b>	Downlight	<b>60</b>	60W Max A19	<b>WH</b>	White	<b>SL</b>	Solite / Light Etch	<b>N</b>	None
				<b>CU</b>	Custom	<b>S</b>	Solite / Clear Pyrex	<b>UVC</b>	UV Coating
						<b>SS</b>	Solite / Solite	<b>O</b>	Other
						<b>FO</b>	Flashed Opal		
						<b>N</b>	None		

Contact NULUX directly to specify custom products

05/09/13