



SQUARELUX 4

A19 DOWNLIGHT

FOR WOOD OR STONE CEILINGS

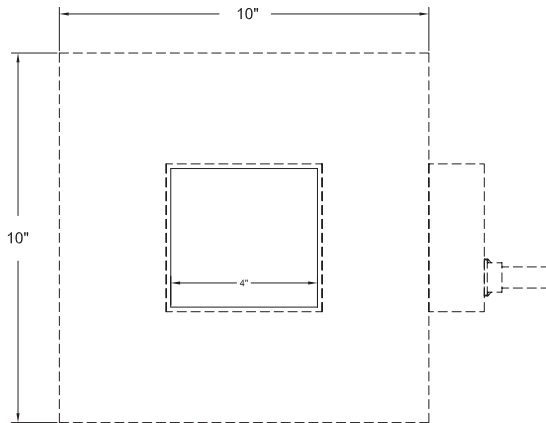
SQUARELUX 4 appears as a 4" square illuminated glass surface coplanar with a gypsum board ceiling. No flange or trim is visible from below. A two-layer laminated glass lens sits flush with the ceiling line. An optional reveal in the glass outlines the floating lens. Fixture utilizes a single 120V A19 60W lamp in the fixed downlight position. A layer of Solite with a back layer of clear borosilicate is the default lens. SQUARELUX 4 is designed for flangeless mounting into a wood or stone ceiling.

FEATURES:

- Small 4" x 4" square aperture
- Fixed downlight A19 lamp, 60W Max
- Exclusive two-ply glass lens
- Various two-ply lensing options
- Non-IC Thermally protected luminaire

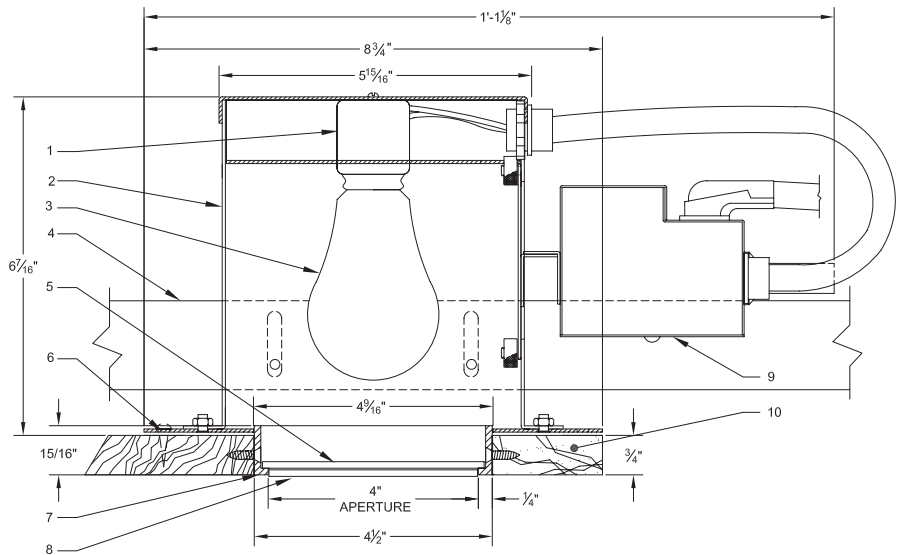
SQUARELUX 4 is NRTL (Nationally Recognized Testing Laboratory) certified for purposes of OSHA safety standards product-approval requirements.

REFLECTED PLAN VIEW



NOTES:

1. Porcelain medium base lampholder
2. Housing
3. 60W Philips director lamp type A 19
4. Mounting Bars (optional)
5. Frosted/Clear glass
6. Optional mounting holes
7. Metal trim/painted finish
8. Flashed white opal lens
9. Wire connection box
10. 3/4" Wood or stone ceilings



ORDERING MATRIX: SQ4-W- _____ - _____

Application	Lamp	Voltage	Interior Finish	Lens Options	Lens Configuration	Additional Accessories
D Downlight	60 60W Max A19	120 120V	WH White	N None	R Reveal	N None
			CU Custom	S Clear Pyrex / Solite	NR No Reveal	UVC UV coating
				SS 2 ply Solite		O Other
				SL Solite / Light Etch		
				FO Flashed Opal		

Contact NULUX directly to specify custom products

11/10/10