



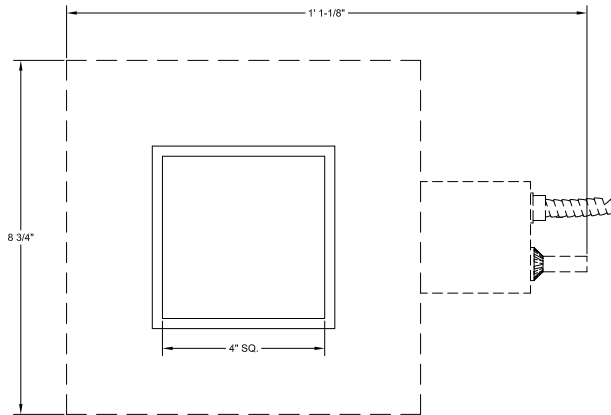
# SQUARELUX 4

## A19 DOWNLIGHT

FOR WOOD OR STONE CEILINGS

SQUARELUX 4 appears as a 4" square illuminated glass surface coplanar with a wood or stone ceiling. No flange or trim is visible from below. A two-layer laminated glass lens sits flush with the ceiling line. An optional reveal in the glass outlines the floating lens. Fixture utilizes a single 120V A19 60W lamp in the fixed downlight position. A layer of Solite with a back layer of clear borosilicate is the default lens. SQUARELUX 4 is designed for flangeless mounting into a wood or stone ceiling.

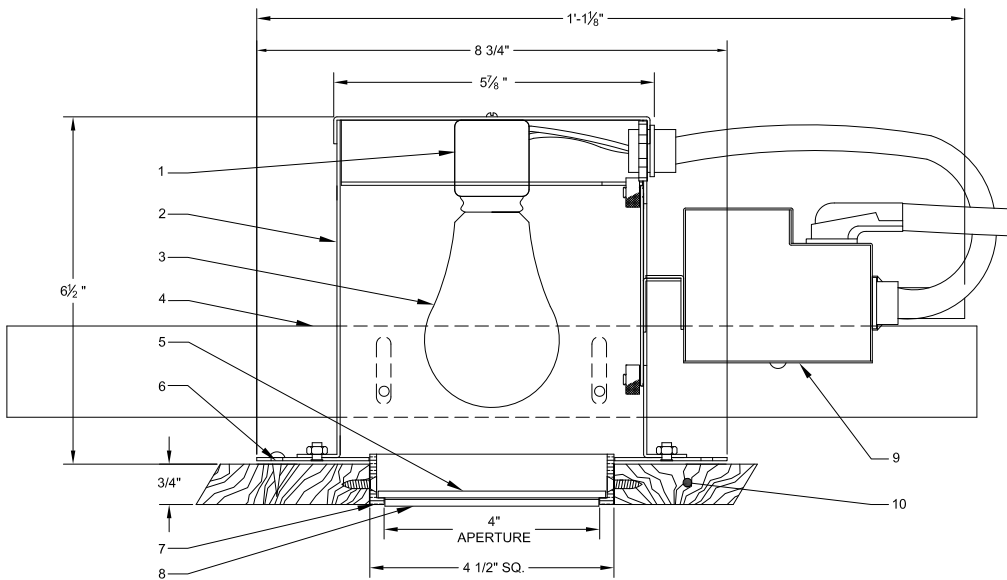
REFLECTED PLAN VIEW



### FEATURES:

- Small 4" x 4" square aperture
- Fixed downlight A19 lamp, 60W Max
- Exclusive two-ply glass lens
- Various two-ply lensing options
- Non-IC thermally protected luminaire

SQUARELUX 4 is NRTL (Nationally Recognized Testing Laboratory) certified for purposes of OSHA safety standards product-approval requirements.



### NOTES:

1. Porcelain medium base lampholder
2. Housing
3. 60W Type A19 lamp (by others)
4. Mounting bars (optional)
5. Frosted/Clear glass
6. Optional mounting holes
7. Metal trim/painted finish
8. Flashed white opal lens
9. Wire connection box
10. 3/4" wood or stone ceiling

ORDERING MATRIX: **SQ4-W-** \_ \_ \_ - \_ \_ \_ \_

| Application        | Lamp                  | Interior Finish  | Aperture Lens                 | Trim Finish                   | Additional Accessories |
|--------------------|-----------------------|------------------|-------------------------------|-------------------------------|------------------------|
| <b>D</b> Downlight | <b>60</b> 60W Max A19 | <b>WH</b> White  | <b>SL</b> Solite / Light Etch | <b>P</b> Primed               | <b>N</b> None          |
|                    |                       | <b>CU</b> Custom | <b>S</b> Solite / Clear Pyrex | <b>C</b> Custom Color Painted | <b>UVC</b> UV Coating  |
|                    |                       |                  | <b>SS</b> Solite / Solite     | <b>O</b> Other                | <b>O</b> Other         |
|                    |                       |                  | <b>FO</b> Flashed Opal        |                               |                        |
|                    |                       |                  | <b>N</b> None                 |                               |                        |

Contact NULUX directly to specify custom products

05/09/13