



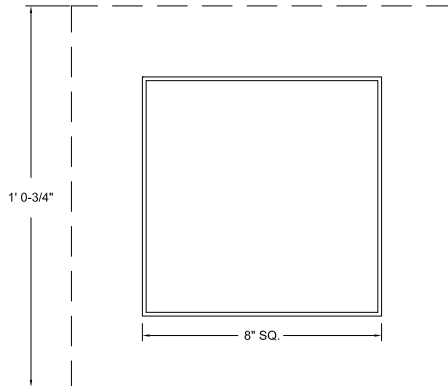
# SQUARELUX 8

## A19 DOWNLIGHT

FOR GYPSUM BOARD CEILINGS

SQUARELUX 8 appears as an 8" square illuminated glass surface coplanar with a gypsum board ceiling. No flange or trim is visible from below. A two-layer laminated glass with a step at the edge drops the lens surface to the ceiling line. An optional reveal in the glass outlines the floating lens. The fixture utilizes a single 120V A19 60W lamp in the fixed downlight position and produces uniform illumination of the lens. There are several glass diffusion and pattern options. SQUARELUX 8 is designed for flangeless mounting in gypsum board ceilings.

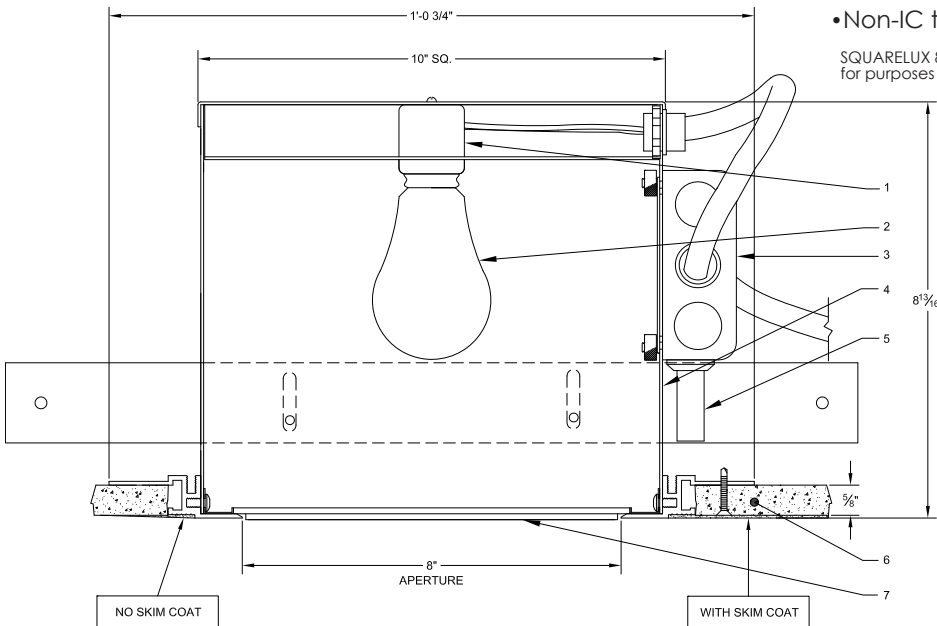
REFLECTED PLAN VIEW



### FEATURES:

- 8" x 8" square aperture
- Fixed downlight, 60W Max
- Trimless gypsum board ceiling installation
- Exclusive two ply glass lens
- Various two-ply lensing options available
- Non-IC thermally protected luminaire

SQUARELUX 8 is NRTL (Nationally Recognized Testing Laboratory) certified for purposes of OSHA safety standards product-approval requirements.



### NOTES:

1. Medium base socket
2. 60W Type A19 lamp (by others)
3. Field wiring compartment
4. 20 GA steel housing
5. Thermal protector
6. 5/8" gypsum board ceiling
7. Two-ply glass lens

### ORDERING MATRIX: SQ8-G- \_ \_ \_ - \_ \_ \_ \_

Application	Lamp	Interior Finish	Aperture Lens	Additional Accessories
<b>D</b> Downlight	<b>60</b> 60W Max A19	<b>WH</b> White	<b>N</b> None	<b>N</b> None
		<b>CU</b> Custom	<b>S</b> Solite / Clear Pyrex	<b>UVC</b> UV Coating
			<b>SS</b> Solite / Solite	<b>O</b> Other
			<b>SL</b> Solite / Light Etch	
			<b>FO</b> Flashed Opal	

Contact NULUX directly to specify custom products

05/09/13