



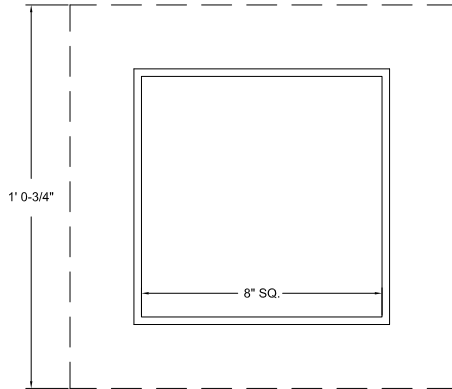
SQUARELUX 8

A19 DOWNLIGHT

FOR WOOD OR STONE CEILINGS

SQUARELUX 8 appears as an 8" square illuminated glass surface coplanar with a wood or stone ceiling. No flange or trim is visible from below. A two-layer laminated glass with a step at the edge drops the lens surface to the ceiling line. An optional reveal in the glass outlines the floating lens. The fixture utilizes a single 120V A19 60W lamp in the fixed downlight position and produces uniform illumination of the lens. There are several glass diffusion and pattern options. SQUARELUX 8 is designed for flangeless mounting in wood or stone ceilings.

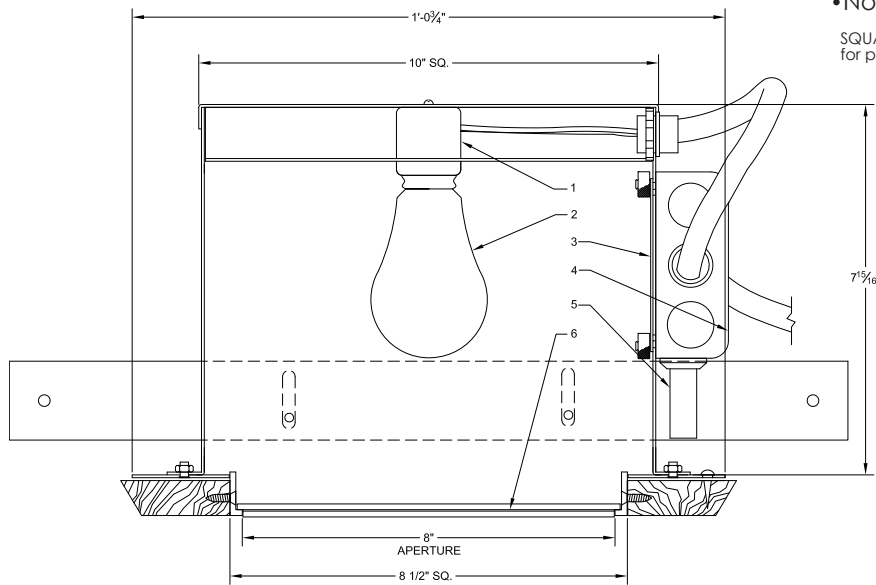
REFLECTED PLAN VIEW



FEATURES:

- 8" x 8" square aperture
- Fixed downlight, 60W Max
- Trimless wood or stone ceiling installation
- Exclusive two ply glass lens
- Various two-ply lensing options available
- Non-IC thermally protected luminaire

SQUARELUX 8 is NRTL (Nationally Recognized Testing Laboratory) certified for purposes of OSHA safety standards product-approval requirements.



NOTES:

1. Porcelain medium base lampholder
2. 60W Type A19 lamp (by others)
3. 20 GA steel housing
4. Field wiring compartment
5. Thermal protector
6. Two-ply lens

ORDERING MATRIX: SQ8-W- _ _ - _ _ _

Application	Lamp	Interior Finish	Aperture Lens	Trim Finish	Additional Accessories
D Downlight	60 60W Max A19	WH White	N None	P Primed	N None
		CU Custom	S Solite / Clear Pyrex	C Custom Color Painted	UVC UV Coating
			SS Solite / Solite	O Other	O Other
			SL Solite / Light Etch		
			FO Flashed Opal		

Contact NULUX directly to specify custom products

05/09/13